



# **Bibby Series III Standard and Modified Designs**



 **Bibby**<sup>®</sup>  
Turboflex

*An Altra Industrial Motion Company*



## Bibby Series III Gear Coupling



# Flexible Couplings

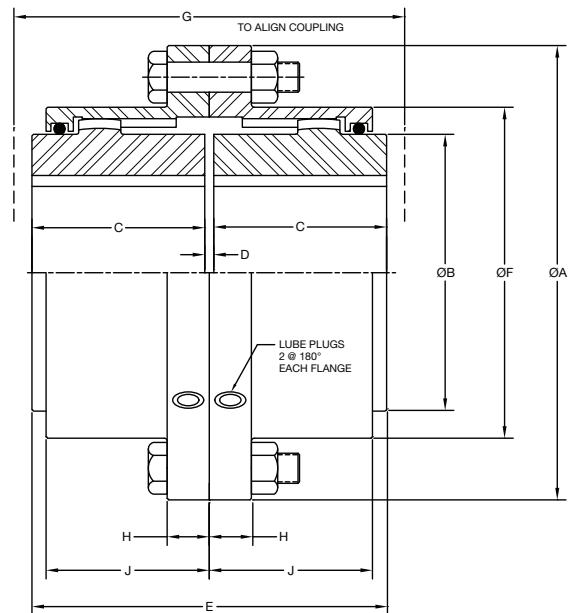
## Series FD - High Torque

### Sizes 15-70

**Flanged Sleeve —  
Double-Engagement Type**

**Application:** Meets requirements of all standard applications for shaft sizes up to 265 mm. Compensates for both angular misalignment and parallel offset.

**Description:** Series FD Flexible Coupling is designed with bolted center flanges to facilitate installation and alignment. Optimum separation of gear meshes permits high parallel offset capacity. Flanged-sleeve design makes possible minimum distance between bearing housings to facilitate shaft alignment. The coupling is optimized for the greatest torque capacity.



FD Exposed Bolt

FD Size	Torque Capacity NM	Maximum Speed RPM	Maximum Bore mm	DIMENSIONS mm									Mass kg	MR <sup>2</sup> Inertia kgm <sup>2</sup>
				A	B	C	D	E	F	G	H	J		
15	2,373	5,400	55	152.4	79.2	49.3	3.0	101.6	99.6	120.0	19.1	45.0	7.7	0.0170
20	5,084	4,800	75	177.8	101.6	62.0	3.0	127.0	123.4	150.0	19.1	57.7	13.6	0.0378
25	8,756	4,300	95	212.9	124.0	77.0	4.8	158.8	148.8	185.0	22.4	71.4	24.1	0.0935
30	12,993	4,000	110	239.8	146.1	91.2	4.8	187.5	174.2	215.0	22.4	86.1	37.2	0.1808
35	19,433	3,600	125	279.4	165.1	106.4	6.4	218.9	200.2	255.0	26.9	99.3	57.7	0.3821
40	30,618	3,200	150	317.5	196.9	120.7	6.4	247.7	234.2	280.0	26.9	113.3	87.6	0.7430
45	42,029	3,000	175	345.9	228.6	134.9	7.9	277.9	262.9	315.0	26.9	126.5	120.8	1.2230
50	57,056	2,600	185	388.9	241.3	153.2	7.9	314.5	290.6	350.0	38.1	144.0	167.1	2.1603
55	81,008	2,400	205	420.6	266.7	168.1	7.9	344.4	322.3	390.0	38.1	158.8	221.6	3.3683
60	95,018	2,200	230	457.2	298.5	188.2	7.9	384.0	349.3	420.0	25.4	175.0	290.6	5.0191
70	135,578	1,800	265	527.1	342.9	220.7	9.7	450.9	406.4	490.0	28.4	198.4	441.7	10.0461

CONTACT THE FACTORY FOR ADDITIONAL DETAILS, MODIFICATIONS AND VARIATIONS.

COMBINED ANGULAR AND PARALLEL OFFSET SHOULD NOT EXCEED + 3/4° PER GEAR MESH.

Bibby Series III Couplings - Fully-Crowned Teeth for Higher Torque, Higher Speed, Higher Misalignment Capacity  
All Series FD Couplings incorporate the following engineered features:

- ±3/4° angular misalignment capacity per gear mesh.
- Torque ratings at full misalignment - in excess of normal requirements for average applications.
- Accurately machined medium carbon steel hubs and sleeves.
- Positive-type O-ring seals keep lubricant in...contaminants out. Seals enshrouded to prevent damage.



# Bibby Series III Gear Coupling



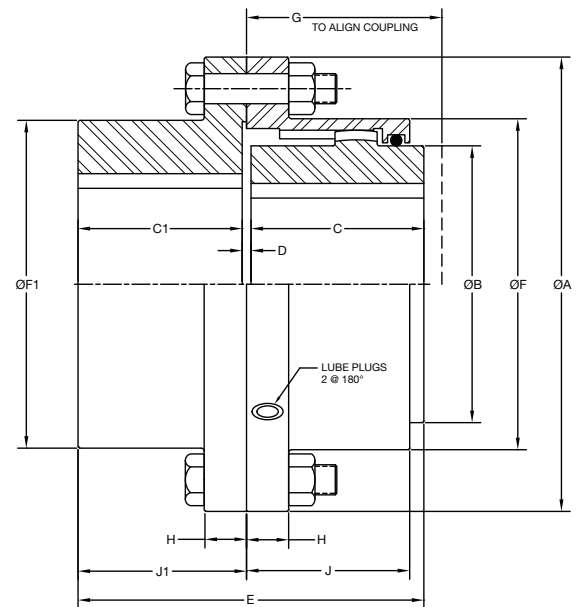
## Flexible Couplings Series FS - High Torque

### Sizes 15-70

**Flanged Sleeve —  
Single-Engagement Type**

**Application:** Used primarily in tandem pairs, connected by intermediate floating shafts or as individual unit in conjunction with a driver or driven shaft having self-aligning support bearing. When used singly, compensates for angular misalignment only.

**Description:** Series FS Flexible Coupling consists of one standard flexible half coupling and one rigid half. The bolted center flanges facilitate installation and alignment.



FS Exposed Bolt

FS Size	Maximum Hub Bore (mm)		Torque Nm	DIMENSIONS													Mass kg	MR <sup>2</sup> Interia kgm <sup>2</sup>
	Flex	Rigid		A	B	C	C1	D	E	F	F1	G	H	J	J1			
15	55	75	2,373	152.4	79.2	49.3	45.5	4.1	98.6	99.6	99.6	60.0	19.1	45.0	47.8	8.4	0.0188	
20	75	95	5,084	177.8	101.6	62.0	58.2	4.1	124.0	123.4	123.4	75.0	19.1	57.7	60.5	14.6	0.0416	
25	95	115	8,756	212.9	124.0	77.0	73.9	4.8	155.6	148.8	148.8	95.0	22.4	71.4	76.2	25.7	0.0973	
30	110	135	12,993	239.8	146.1	91.2	86.6	4.8	182.6	174.2	174.2	110.0	22.4	86.1	88.9	38.9	0.1960	
35	125	155	19,433	279.4	165.1	106.4	100.8	5.6	212.6	200.2	200.2	130.0	26.9	99.3	103.1	60.8	0.4134	
40	150	180	30,618	317.5	196.9	120.7	112.8	7.9	241.2	234.2	234.2	140.0	26.9	113.3	117.3	90.8	0.7896	
45	175	200	42,029	345.9	228.6	134.9	127.0	8.6	270.5	262.9	258.6	160.0	26.9	126.5	131.6	124.9	1.2854	
50	185	225	57,056	388.9	241.3	153.2	146.3	8.6	308.1	290.6	290.6	175.0	38.1	144.0	150.9	178.0	2.3891	
55	205	250	81,008	420.6	266.7	168.1	155.7	8.6	332.5	322.3	322.3	195.0	38.1	158.8	160.3	230.2	3.6018	
60	230	270	95,018	457.2	298.5	188.2	181.9	10.4	380.2	349.3	349.3	210.0	25.4	175.0	188.2	311.0	5.1586	
70	265	310	135,578	527.1	342.9	220.7	214.4	12.7	447.7	406.4	400.1	245.0	28.4	198.4	222.3	474.4	10.6919	

CONTACT THE FACTORY FOR ADDITIONAL DETAILS, MODIFICATIONS AND VARIATIONS.  
COMBINED ANGULAR AND PARALLEL OFFSET SHOULD NOT EXCEED + 3/4° PER GEAR MESH.

Bibby Series III Couplings - Fully-Crowned Teeth for Higher Torque, Higher Speed, Higher Misalignment Capacity  
All Series FS Couplings incorporate the following engineered features:

- ±3/4° angular misalignment capacity per gear mesh.
- Torque ratings at full misalignment - in excess of normal requirements for average applications.
- Accurately machined medium carbon steel hubs and sleeves.
- Positive-type O-ring seals keep lubricant in...contaminants out. Seals enshrouded to prevent damage.

<p><b>Electromagnetic Clutches and Brakes</b></p> <p><b>Warner Electric</b> <i>Electromagnetic Clutches and Brakes</i> New Hartford, CT - USA <b>1-800-825-6544</b> <i>For application assistance: 1-800-825-9050</i></p> <p>St Barthelemy d'Anjou, France <b>+33 (0) 2 41 21 24 24</b></p> <p><i>Precision Electric Coils and Electromagnetic Clutches and Brakes</i> Columbia City, IN - USA <b>1-260-244-6183</b></p> <p><b>Matrix International</b> <i>Electromagnetic Clutches and Brakes, Pressure Operated Clutches and Brakes</i> Brechin, Scotland <b>+44 (0) 1356 602000</b> New Hartford, CT - USA <b>1-800-825-6544</b></p> <p><b>Inertia Dynamics</b> <i>Spring Set Brakes; Power On and Wrap Spring Clutch/Brakes</i> New Hartford, CT - USA <b>1-800-800-6445</b></p>	<p><b>Couplings</b></p> <p><b>Ameridrives Couplings</b> <i>Mill Spindles, Ameriflex, Ameridisc</i> Erie, PA - USA <b>1-814-480-5000</b></p> <p><i>Gear Couplings</i> San Marcos, TX - USA <b>1-800-458-0887</b></p> <p><b>Bibby Turboflex</b> <i>Disc, Gear, Grid Couplings, Overload Clutches</i> Dewsbury, England <b>+44 (0) 1924 460801</b> Boksburg, South Africa <b>+27 11 918 4270</b></p> <p><b>TB Wood's</b> <i>Elastomeric Couplings</i> Chambersburg, PA - USA <b>1-888-829-6637</b> – Press #5 <i>For application assistance: 1-888-829-6637 – Press #7</i></p> <p><i>General Purpose Disc Couplings</i> San Marcos, TX - USA <b>1-888-449-9439</b></p> <p><b>Ameridrives Power Transmission</b> <i>Universal Joints, Drive Shafts, Mill Gear Couplings</i> Green Bay, WI - USA <b>1-920-593-2444</b></p> <p><b>Huco Dynatork</b> <i>Precision Couplings and Air Motors</i> Hertford, England <b>+44 (0) 1992 501900</b> Charlotte, NC - USA <b>1-800-825-6544</b></p>	<p><b>Heavy Duty Clutches and Brakes</b></p> <p><b>Wichita Clutch</b> <i>Pneumatic Clutches and Brakes</i> Wichita Falls, TX - USA <b>1-800-964-3262</b> Bedford, England <b>+44 (0) 1234 350311</b></p> <p><b>Twiflex Limited</b> <i>Caliper Brakes and Thrusters</i> Twickenham, England <b>+44 (0) 20 8894 1161</b></p> <p><b>Industrial Clutch</b> <i>Pneumatic and Oil Immersed Clutches and Brakes</i> Waukesha, WI - USA <b>1-262-547-3357</b></p> <p><b>Gearing</b></p> <p><b>Boston Gear</b> <i>Enclosed and Open Gearing, Electrical and Mechanical P.T. Components</i> Charlotte, NC - USA <b>1-800-825-6544</b> <i>For application assistance: 1-800-816-5608</i></p> <p><b>Bauer Gear Motor</b> <i>Geared Motors</i> Esslingen, Germany <b>+49 (711) 3518-0</b></p> <p><b>Nuttall Gear and Delroyd Worm Gear</b> <i>Worm Gear and Helical Speed Reducers</i> Niagara Falls, NY - USA <b>1-716-298-4100</b></p>	<p><b>Overrunning Clutches</b></p> <p><b>Formsprag Clutch</b> <i>Overrunning Clutches and Holdbacks</i> Warren, MI - USA <b>1-800-348-0881</b> – Press #1 <i>For application assistance: 1-800-348-0881 – Press #2</i></p> <p><b>Marland Clutch</b> <i>Roller Ramp and Sprag Type Overrunning Clutches and Backstops</i> South Beloit, IL - USA <b>1-800-216-3515</b></p> <p><b>Stieber Clutch</b> <i>Overrunning Clutches and Holdbacks</i> Heidelberg, Germany <b>+49 (0) 6221 30 47 0</b></p> <p><b>Belted Drives and Sheaves</b></p> <p><b>TB Wood's</b> <i>Belted Drives</i> Chambersburg, PA - USA <b>1-888-829-6637</b> – Press #5 <i>For application assistance: 1-888-829-6637 – Press #7</i></p> <p><b>Engineered Bearing Assemblies</b></p> <p><b>Kilian Manufacturing</b> <i>Engineered Bearing Assemblies</i> Syracuse, NY - USA <b>1-315-432-0700</b></p> <p><i>For information concerning our sales offices in Asia Pacific check our website www.altramotion.com.cn</i></p>
<p><b>Linear Products</b></p> <p><b>Warner Linear</b> <i>Linear Actuators</i> Belvidere, IL - USA <b>1-800-825-6544</b> <i>For application assistance: 1-800-825-9050</i></p> <p>St Barthelemy d'Anjou, France <b>+33 (0) 2 41 21 24 24</b></p>			



[www.bibbyturboflex.com](http://www.bibbyturboflex.com)

Cannon Way, Dewsbury  
West Yorkshire, WF13 1EH – United Kingdom  
+ 44(0) 1924 460801  
Fax: + 44(0) 1924 457668



[www.bibbyturboflex.com](http://www.bibbyturboflex.com)

Unit 11, Middle Park, Cnr. Craig & Dormehl Roads  
Anderbolt, Boksburg, P.O. Box 16524  
Atlasville, 1465 South Africa  
+27(0) 11 918-4270 | Fax: +27(0) 11 918-4240