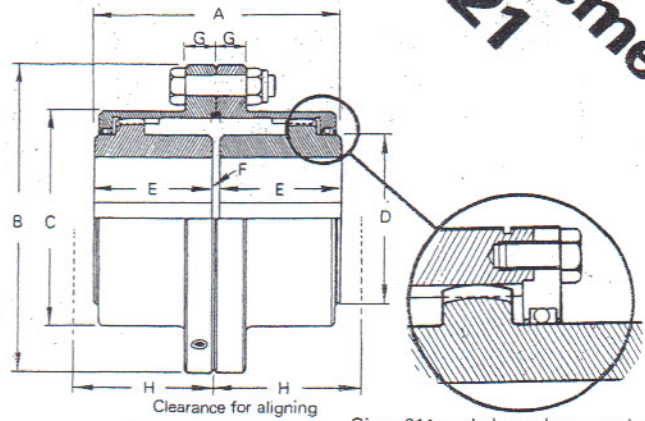
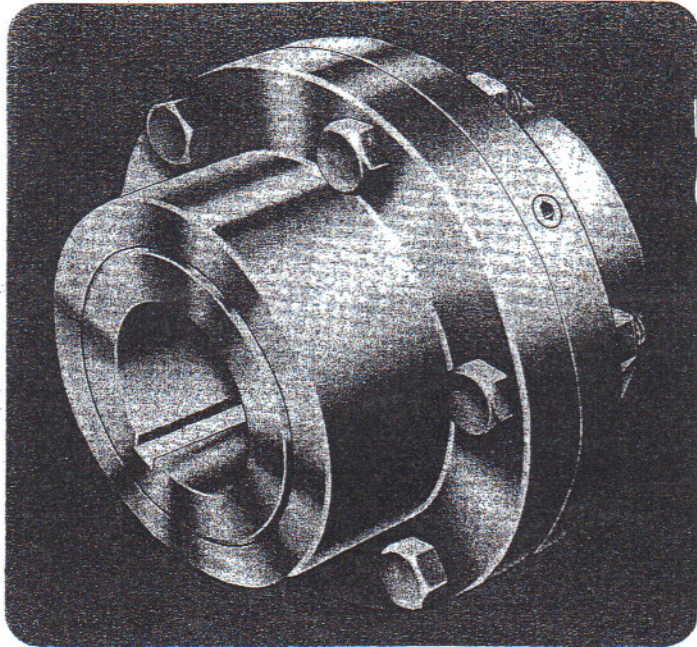


Flanged Double engagement Type 621



Sizes 011 and above have end plates bolted in position as shown in inset.

Dimensions (mm)

Size	A	B	C	D	E	F	G	H
02	101	152	95	73	49	3	15	61
03	127	178	121	92	62	3	19	77
04	158	213	143	108	77	4	22	92
05	187	240	172	130	91	5	22	108
06	218	279	194	152	106	6	27	127
07	247	318	227	178	120	7	27	140
08	278	346	252	190	135	8	27	156
09	314	389	286	216	153	8	27	175
10	344	421	311	241	168	8	27	194
11	408	475	365	270	200	8	26	-
12	450	505	395	300	220	10	26	-
13	490	560	425	330	240	10	33	-
14	530	605	470	360	260	10	33	-
15	562	630	495	390	275	12	33	-
16	602	690	530	420	295	12	39	-
17	642	740	580	450	315	12	39	-
18	682	770	610	480	335	12	39	-
19	722	830	645	510	355	12	46	-
20	762	860	675	540	375	12	46	-
21	800	915	730	580	390	20	46	-
22	840	980	770	620	410	20	52	-
23	880	1020	810	660	430	20	52	-

Order Code: 62102 to 62123 incl.

These designations are derived from coupling type and size references and should be quoted on ordering. Refer to page 6 for details of preferred bores and keyways for sizes 10 and below.

This range of couplings meets the requirements of power transmission applications with shaft sizes up to 440mm diameter. Couplings compensate for all types of misalignment. Split sleeve design allows access for shaft alignment with minimum distance between adjacent housings.

Couplings for vertical shafts can be quoted for on application.

Puller holes are only provided when specified.

All bolts fitted with self-locking nuts.

Size	Max. Bore (mm)	Min. Bore (mm)	Load Capacity		Max. rpm Unbalanced	Parallel Offset Capacity (mm)	Weight Solid Hubs (kg.)	WR ² Solid Hubs (kgm ²)	Oil or Grease Quantities	
			kW per 100 rpm	Torque (kNm)					Weight kg.	Volume litres
02	50	18	21,0	2,00	4400	1,1	7,1	0,015	0,082	0,096
03	65	30	37,3	3,56	3700	1,5	13,7	0,038	0,154	0,176
04	80	32	65,6	6,26	3100	2,0	23,4	0,092	0,209	0,240
05	95	42	112	10,7	2600	2,2	35,5	0,172	0,363	0,410
06	110	60	149	14,2	2300	2,7	51,1	0,378	0,453	0,530
07	130	70	224	21,4	2050	3,0	79,2	0,679	0,770	0,910
08	140	70	298	28,4	1850	3,4	103,3	0,930	0,950	1,080
09	155	90	410	39,1	1700	4,0	147,0	1,74	1,680	1,870
10	175	100	560	53,5	1500	4,4	190,0	2,81	2,260	2,610
11	200	-	850	81,1	1430	3,6	300	5,97	-	2,8
12	220	-	1080	103	1340	3,9	405	7,72	-	3,4
13	240	-	1320	126	1210	4,2	495	13,2	-	3,9
14	260	-	2050	196	1120	4,4	645	19,4	-	5,8
15	280	-	2340	223	1080	4,7	741	23,8	-	6,4
16	300	-	3070	293	980	5,0	896	37,1	-	7,4
17	320	-	5280	504	917	5,2	1130	54,6	-	10,8
18	340	-	6270	598	882	5,5	1290	66,6	-	12,2
19	360	-	7160	683	818	5,8	1470	92,7	-	13,9
20	380	-	8050	768	790	6,0	1660	111	-	15,7
21	400	-	12700	1210	742	6,4	2100	148	-	22,2
22	420	-	14600	1390	693	6,7	2500	211	-	24,5
23	440	-	16700	1590	665	6,9	2920	258	-	27,6