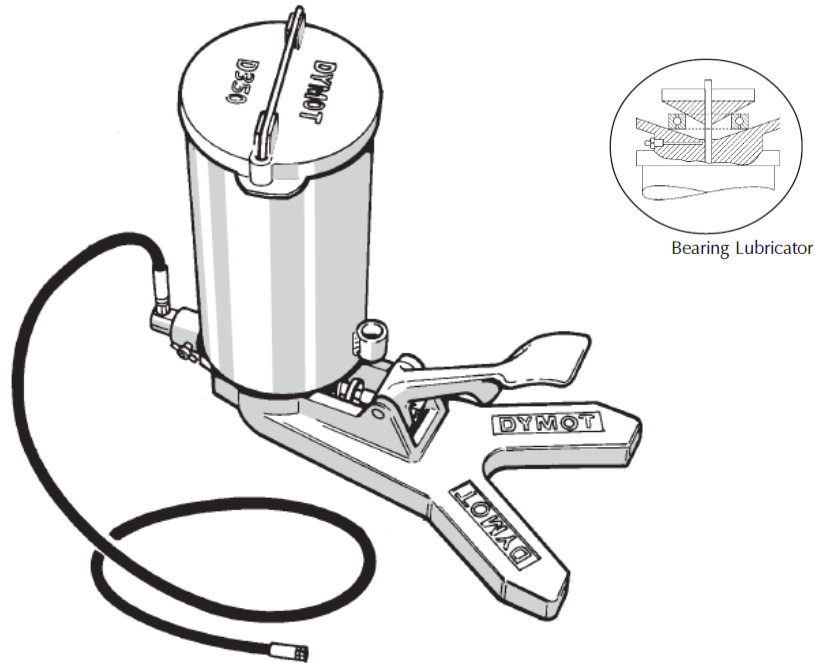




D350 GREASE PUMP



GENERAL & TECHNICAL

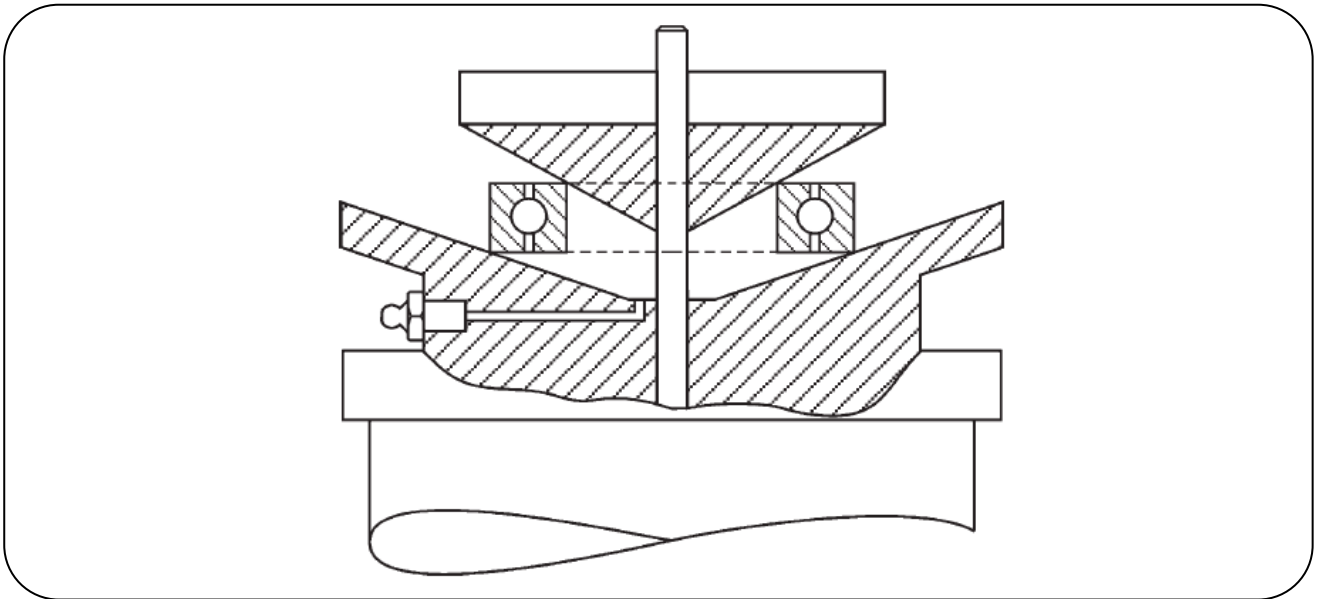
The Dymot D350 grease pump is a portable foot operated pump, cast in aluminium. Standing 400mm long x 400mm high the pump weighs 12kg dry and has a capacity of 5kg of grease. It delivers 2,5cm³ per stroke at 350 bars pressure. Both hands are always free for the lubrication application. Supplied with 2m or more of high pressure hose and required fittings.

FEATURES

- Efficient Greasing
- Reduces Costly Breakdowns & Downtime
- This Pump is Cheaper than Spare Parts
- 100% S.A. Manufacture
- Optional Extra - Bearing Lubricator

BEARING LUBRICATOR

FOR BEARINGS UP TO 170MM OD



- Bearing Lubricators which can be bench mounted or used as lids, are available.
- To pack a bearing with grease the male cone is removed and the bearing is placed centrally on the female cone.
- Tightening of the male cone seals the bearing in position.
- A grease nipple is provided on the side of the female cone for connecting the pump hose.
- Grease is pumped evenly through the bearing by operating the pump.

DYMOT ENGINEERING COMPANY (PTY) LIMITED

11 DERRICK ROAD, SPARTAN, KEMPTON PARK, SOUTH AFRICA
P.O. BOX 404, EDENVALE, 1610
TEL: +27 11 970-1920
FAX: +27 11 970-1979

E-MAIL: sales@dymot.co.za
WEB: www.dymot.co.za
Co Reg. No 1965/07008/07