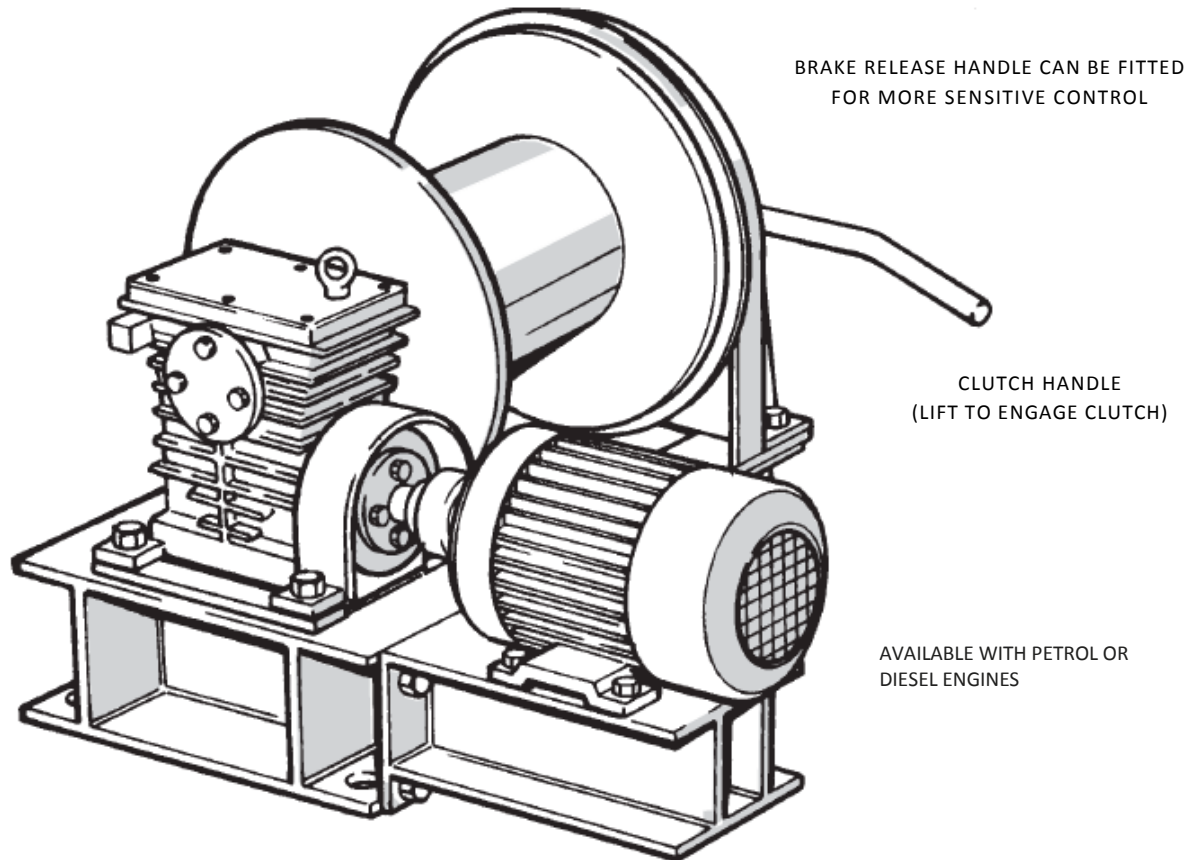




## FAIL SAFE BUILDER'S WINCH MK1



BRAKE RELEASE HANDLE CAN BE FITTED  
FOR MORE SENSITIVE CONTROL

CLUTCH HANDLE  
(LIFT TO ENGAGE CLUTCH)

AVAILABLE WITH PETROL OR  
DIESEL ENGINES

### GENERAL INFORMATION

This is a free-fall winch with an automatic fail safe brake to hold the load. The brake is automatically released when the clutch is engaged to raise the load.

### USES

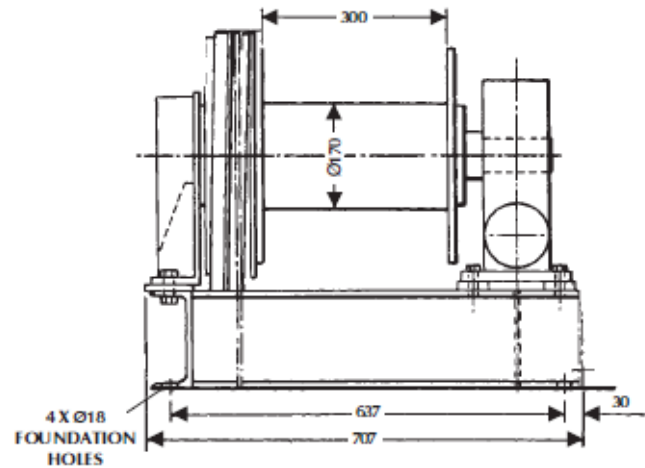
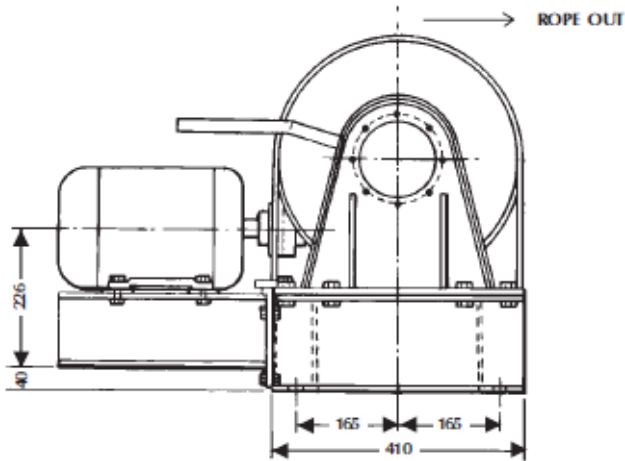
All load raising and lowering in construction industries.

### FEATURES

- Safety with power.
- Choice of drive application.
- Automatic fail safe brake.

**NOTE: Round the clock service is available to all DYMOT WINCH USERS and spares and accessories are freely available at REALISTIC PRICES!**

## SPECIFICATION



### ROPE PULL

Drum Full: 350kg

Drum Empty: 600kg

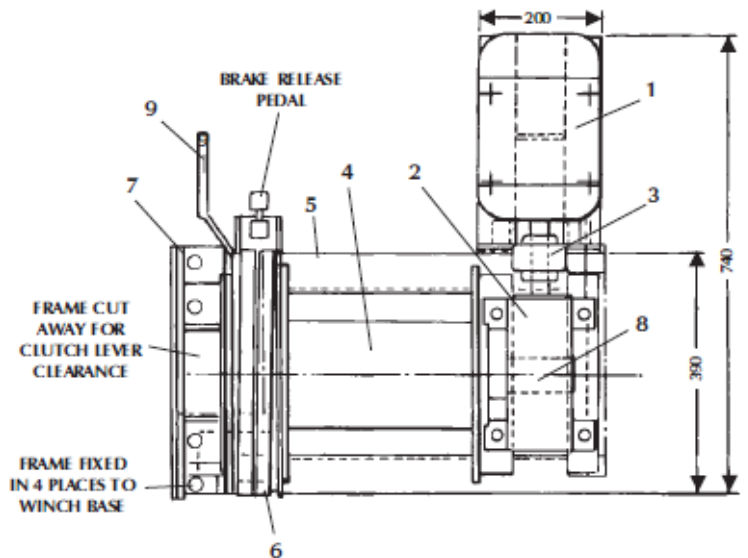
### ROPE SPEED

Drum Full: 26m/min.

Drum Empty: 15m/min.

**ROPE SIZE:** DIA 8mm

**ROPE CAPACITY:** 200m



ITEM	DESCRIPTION
1	Motor - 2,2kW, 4 Pole, 380V
2	Gearbox - Dymot size 125, Ratio 50:1
3	Coupling - Flexible Spider Type
4	Drum 170 Ø x 300 wide x 340 Ø Flange
5	Base Frame
6	Brake Band Drum
7	Support Frame
8	Main Shaft
9	Clutch Lever

\* Specification is subject to change without prior notice

## DYMOT ENGINEERING COMPANY (PTY) LIMITED

11 DERRICK ROAD, SPARTAN, KEMPTON PARK, SOUTH AFRICA

P.O. BOX 404, EDENVALE, 1610

TEL: +27 11 970-1920

FAX: +27 11 970-1979

E-MAIL: [sales@dymot.co.za](mailto:sales@dymot.co.za)

WEB: [www.dymot.co.za](http://www.dymot.co.za)

Co Reg. No 1965/07008/07