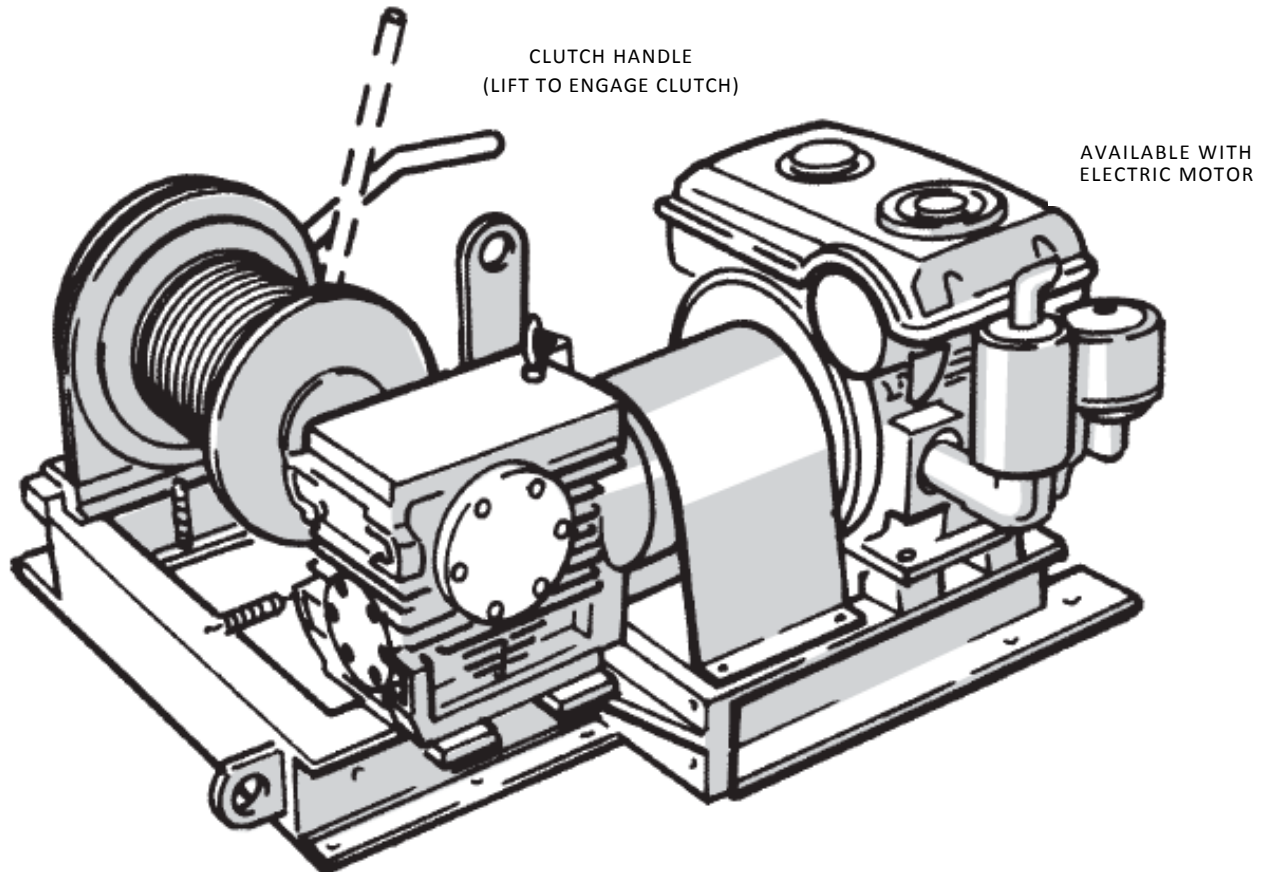




FAIL SAFE BUILDER'S WINCH MK2

BRAKE RELEASE HANDLE CAN BE FITTED
FOR MORE SENSITIVE CONTROL



CLUTCH HANDLE
(LIFT TO ENGAGE CLUTCH)

AVAILABLE WITH
ELECTRIC MOTOR

GENERAL INFORMATION

This is a free-fall winch with an automatic fail safe brake to hold the load. The brake is automatically released when the clutch is engaged to raise the load.

USES

All load raising and lowering in construction industries.

FEATURES

- Safety with power.
- Choice of drive application.
- Automatic fail safe brake.

NOTE: Round the clock service is available to all DYMOT WINCH USERS and spares and accessories are freely available at REALISTIC PRICES!

SPECIFICATION

ROPE PULL

Drum Full: 1100kg

Drum Empty: 1900kg

ROPE SPEED

Drum Full: 27m/min.

Drum Empty: 17m/min.

ROPE SIZE: 10 diameter.

ROPE CAPACITY: 200m.

DRUM WIDTH: 350mm

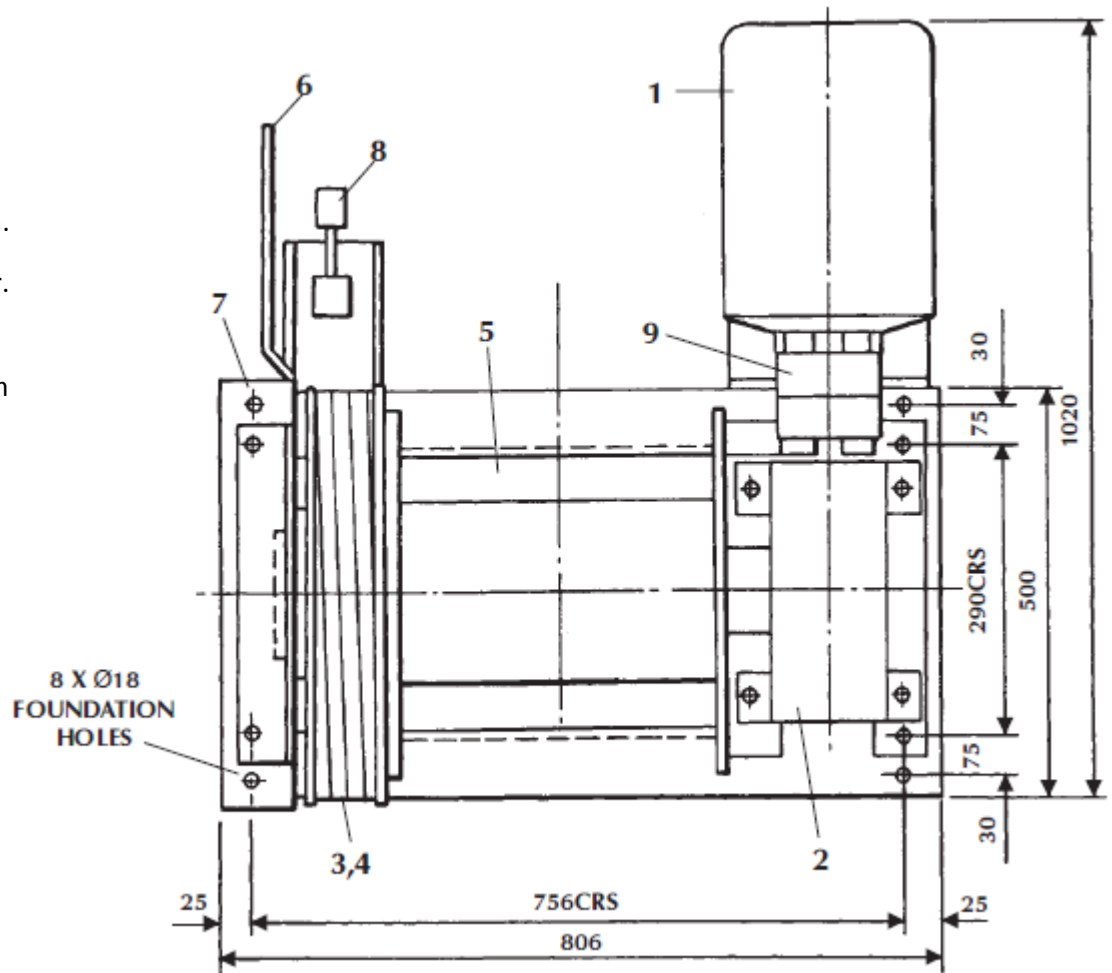
OVERALL SIZES

Height = 690mm

Length = 1020mm

Width = 806mm

MASS = 420kg



ITEM	DESCRIPTION
1	Motors: a) 7.5 kW Electric b) 9 kW Petrol c) 9 kW Diesel
2	Gearbox - Dymot size 178 x 60:1
3	Brake – Dymot Spiral Type
4	Clutch – Dymot Disc Type (2 disc)
5	Drum 220 Ø x 350 wide x 430 Ø Flange
6	Clutch Handle
7	Clutch Support
8	Brake Release Pedal
9	Coupling

* Specification is subject to change without prior notice

DYMOT ENGINEERING COMPANY (PTY) LIMITED

11 DERRICK ROAD, SPARTAN, KEMPTON PARK, SOUTH AFRICA

P.O. BOX 404, EDENVALE, 1610

TEL: +27 11 970-1920

FAX: +27 11 970-1979

E-MAIL: sales@dymot.co.za

WEB: www.dymot.co.za

Co Reg. No 1965/07008/07