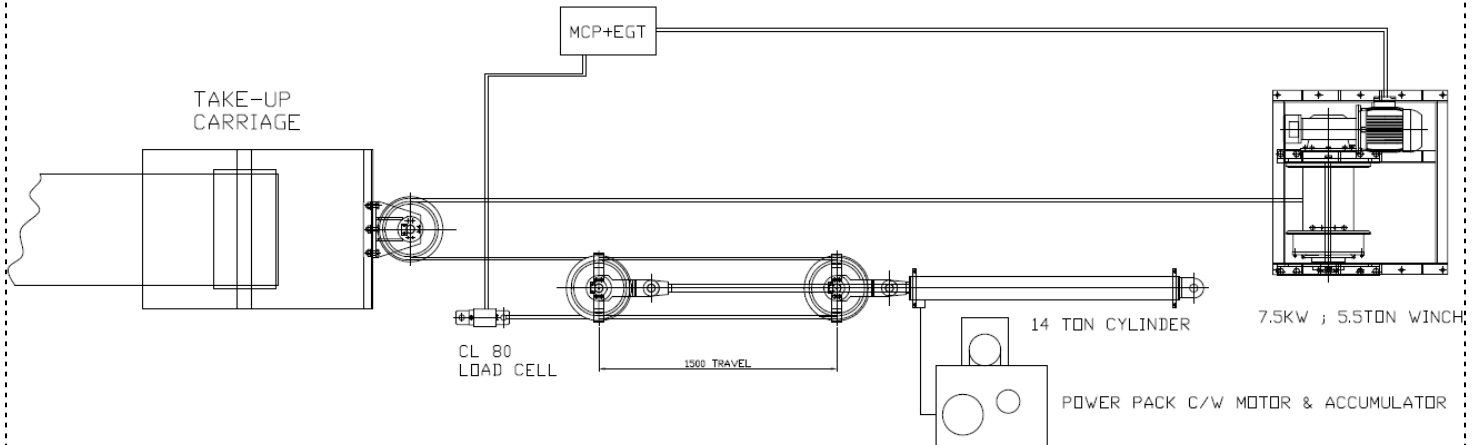




TYPICAL LAYOUT-HYDRAULIC TAKE-UP SHOCK ABSORBER SYSTEM c/w EGT TENSION CONTROL



The DYMOT take-up winch used in conjunction with the EGT tension controller and the DYMOT Hydraulic shock absorber can react to and accommodate all starting and stopping conditions encountered in the modern high speed conveyors. This includes transient shock loads caused by unplanned stops and power failures.

The winch and the EGT take care of the normal running and pre-start tensions. When low tensions are created this is immediately rectified by the fast retraction of the extended cylinder removing rope from the system thereby restoring the correct tension in the belt.

This is the only system other than gravity which can make adjustments to the fluctuating belt tension without continuous power.

NOTE: Please supply complete belt details when considering the use of this system.

DYMOT ENGINEERING COMPANY (PTY) LIMITED

11 DERRICK ROAD, SPARTAN, KEMPTON PARK, SOUTH AFRICA
P.O. BOX 404, EDENVALE, 1610
TEL: +27 11 970-1920
FAX: +27 11 970-1979

E-MAIL: sales@dymot.co.za
WEB: www.dymot.co.za
Co Reg. No 1965/07008/07