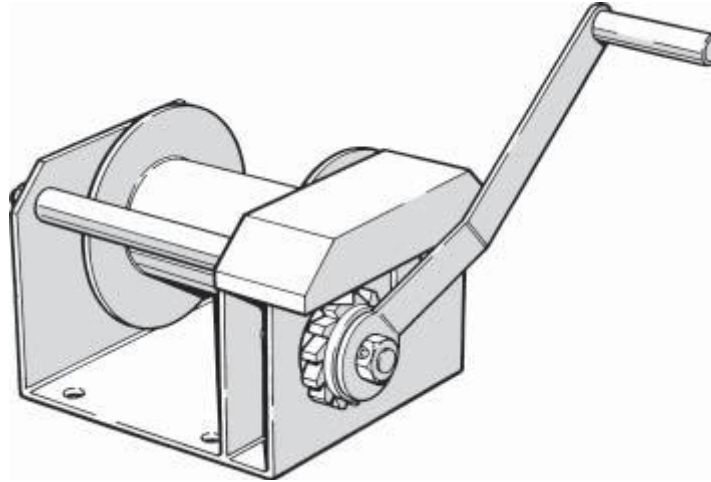




MODEL 400S WINCH



GENERAL INFORMATION

The new DYMOT Light Load Safety Winches have been specially developed to eliminate the danger found on normal ratchet held loads in hand winches. The principal danger being flying handles when the ratchet is disengaged to lower the load. This problem has been overcome with the use of an automatic clamping and ratchet type brake whereby the ratchets are never disengaged and the load is moved up or down simply by winding the handle in the required direction.

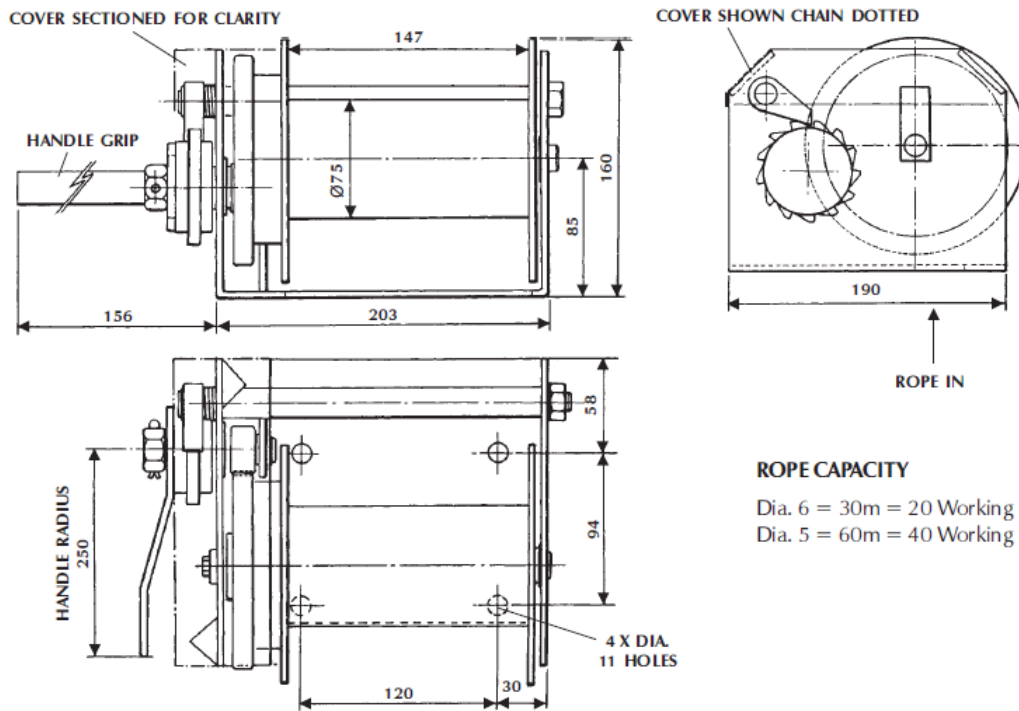
USES

All load raising and lowering operations in mines, industry and agriculture.

FEATURES

- Safety with power.
- Highest quality alloy steel used for all gears and shafts.
- Economically priced.
- High factors of safety.

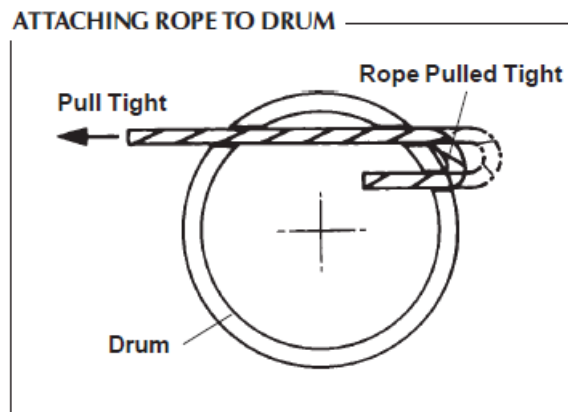
SPECIFICATION



- NOTE:**
1. Safe working load calculated on full drum.
 2. Factors of safety to BS 3701.
 3. Automatic load applied brake.
 4. Safe working load 280kg.

WARNING

- The ratchet must never be disengaged.
- The rope must be reeled onto the drum by winding the handle in a clockwise direction, and under no circumstances must this direction be reversed.
- A minimum of 4 turns of rope must always be on the drum to ensure no slipping or releasing of the rope. The rope is threaded through the drum, doubled back into the locking hole and pulled tight. This tight bedding locks the rope to the drum.



DYMOT ENGINEERING COMPANY (PTY) LIMITED

11 DERRICK ROAD, SPARTAN, KEMPTON PARK, SOUTH AFRICA
P.O. BOX 404, EDENVALE, 1610
TEL: +27 11 970-1920
FAX: +27 11 970-1979

E-MAIL: sales@dymot.co.za
WEB: www.dymot.co.za
Co Reg. No 1965/07008/07