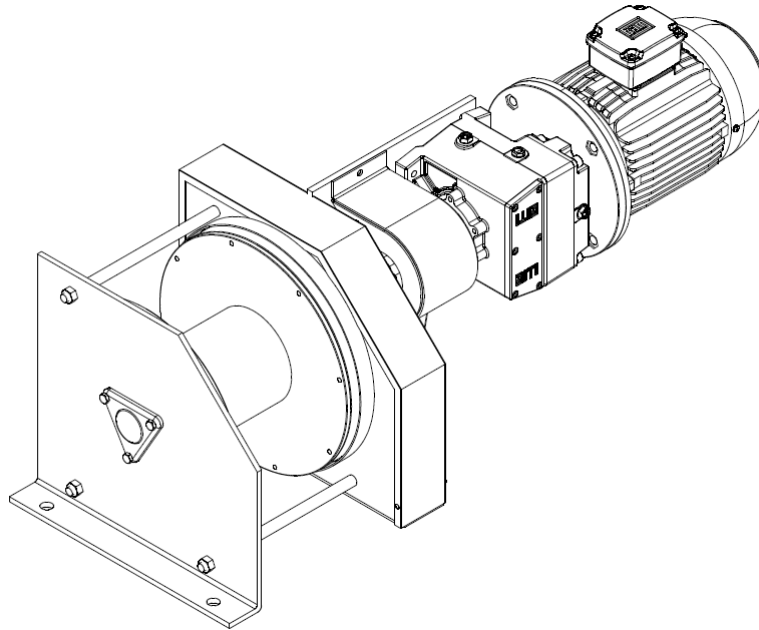




## MOTORISED HAND WINCHES 3M



### GENERAL INFORMATION

The new DYMOT range of MOTORISED SAFETY WINCHES has been specially developed to eliminate the danger found on normal ratchet held loads in hand winches. The winches use an automatic clamping and ratchet type brake whereby the ratchets are never disengaged and the load is moved up or down simply by running the motor FWD/REV.

A further improvement which has been achieved in the new design is that the winch now features bearings on all shafts and gears.

All lubrication points are external to the covers.

### FEATURES

- Safety with power.
- Highest quality alloy steels used for all gears and shafts for rugged durability.
- Economically priced.
- High factors of safety.
- Low Power Requirements for Motor.

### NOTES

- Rope must enter Winch as Shown by arrows.
- Safe Working Load Calculated on Full Drum.
- For Working Length Multiply Drum Full Rope Length by 0,7.
- Model No. Denotes Test Load

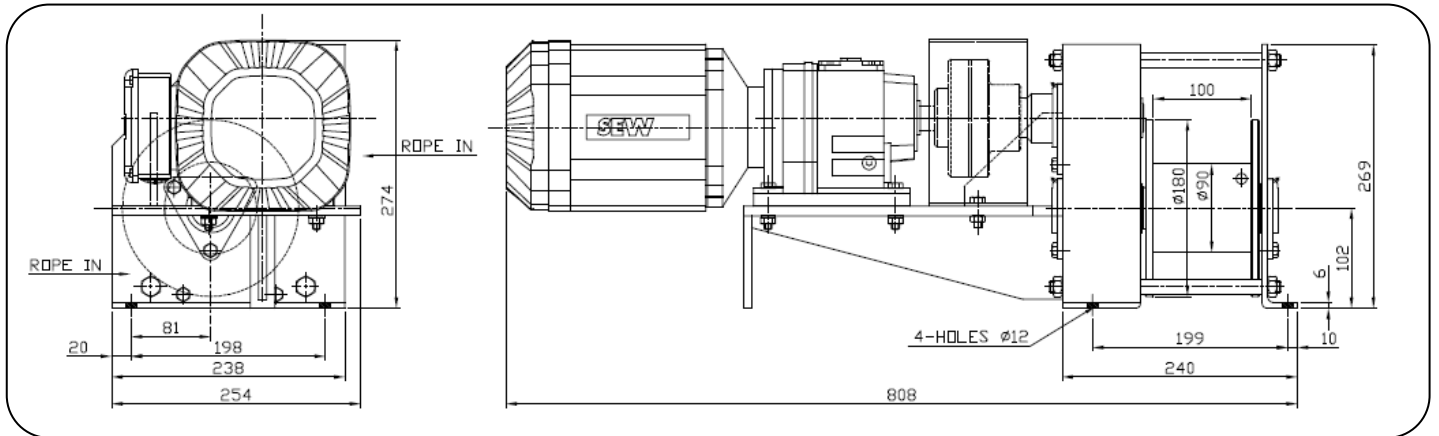
### USES

- All load raising and lowering operations in mines, industry and agriculture and especially suited to conveyor tensioning.

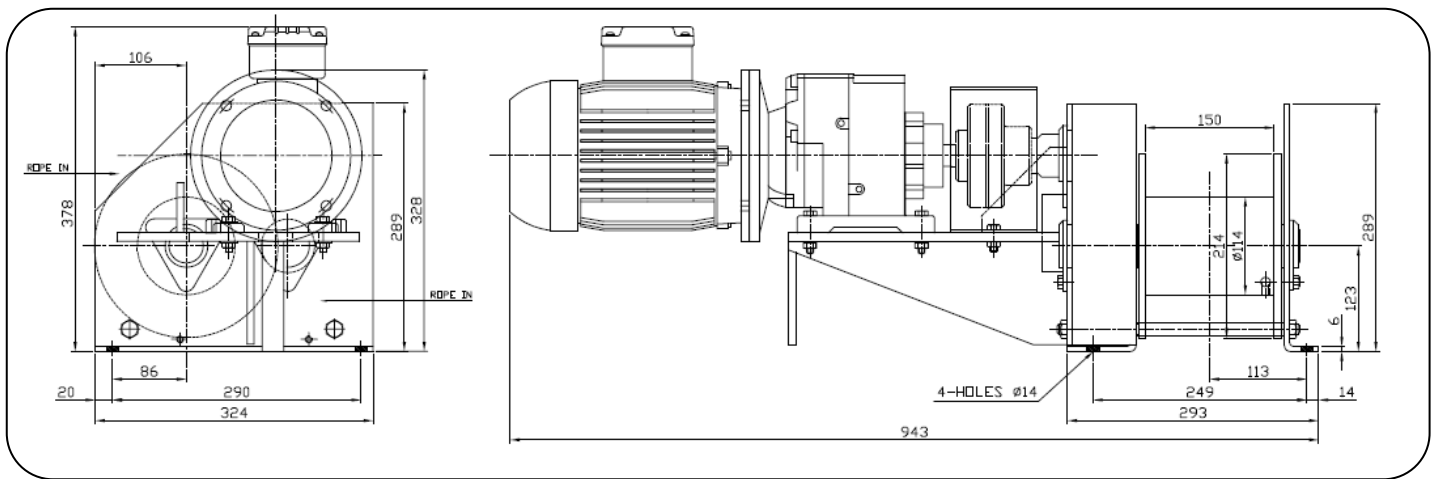
## WINCH SPECIFICATIONS

MODEL	750S.3M	1500S.3M	3000S.3M
WINCH GEAR RATIO	4.5/1	12.6/1	29.25/1
PRIMARY GEAR RATIO	10.07/1	10.07/1	7.37/1
ROPE CAPACITY (m)	24	35	75
WORKING LENGTH (m)	18	26	54
ROPE SIZE (mm)	Ø8	Ø10	Ø13
ROPE CONSTRUCTION	6 X 36	6 X 36	6 X 36
ROPE SPEED FIRST LAYER (m/min)	9.5	4.3	3.2
MOTOR POWER (kW)	1.5	1.5	2.2
MASS (kg)	65	90	135
SAFE WORKING LOAD (Tons)	0.5	1	2.2
TEST LOAD (Tons)	0.75	1.5	3

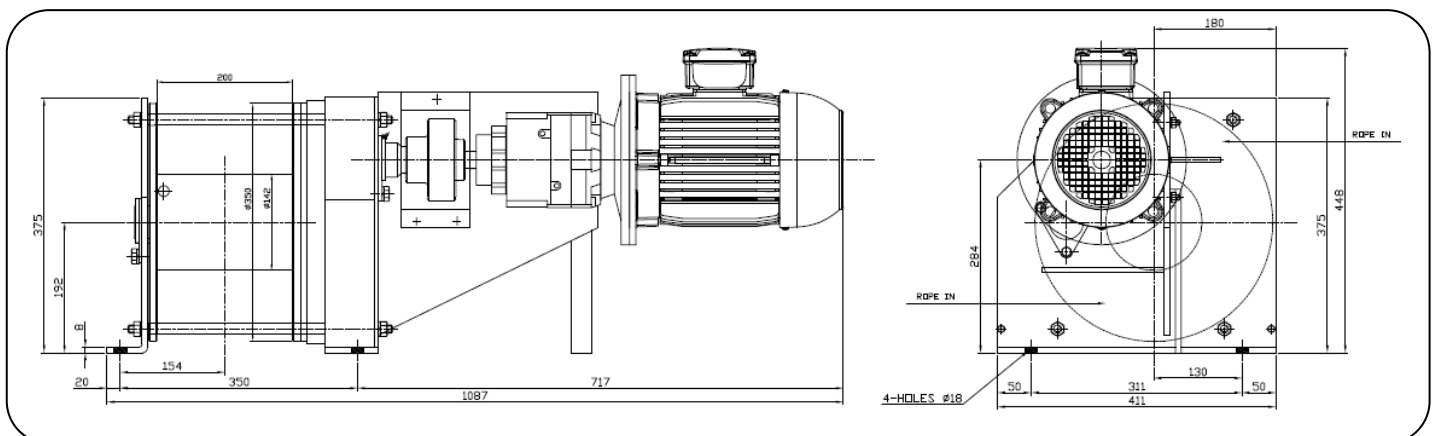
### 750S.3M



### 1500S.3M



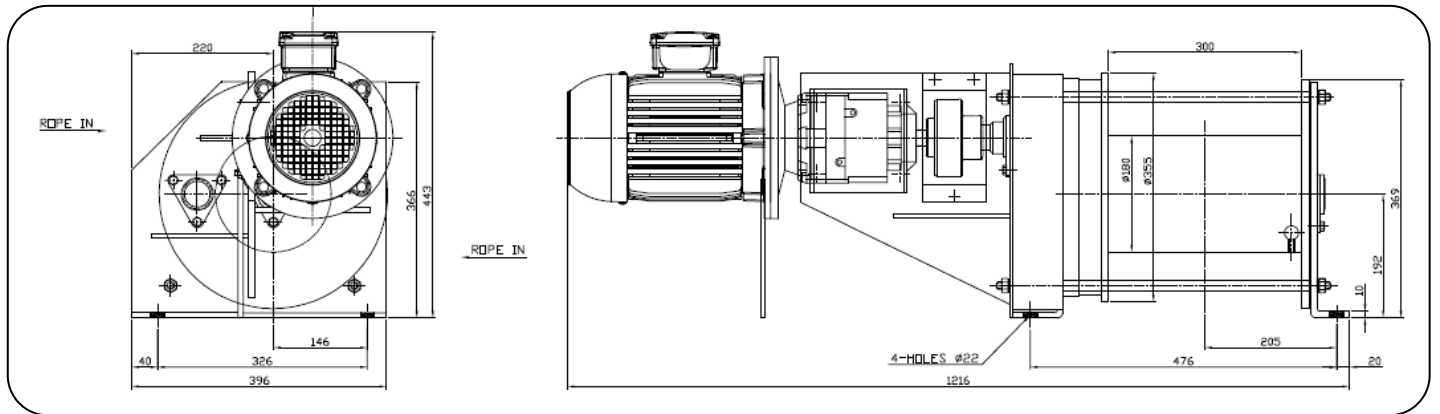
### 3000S.3M



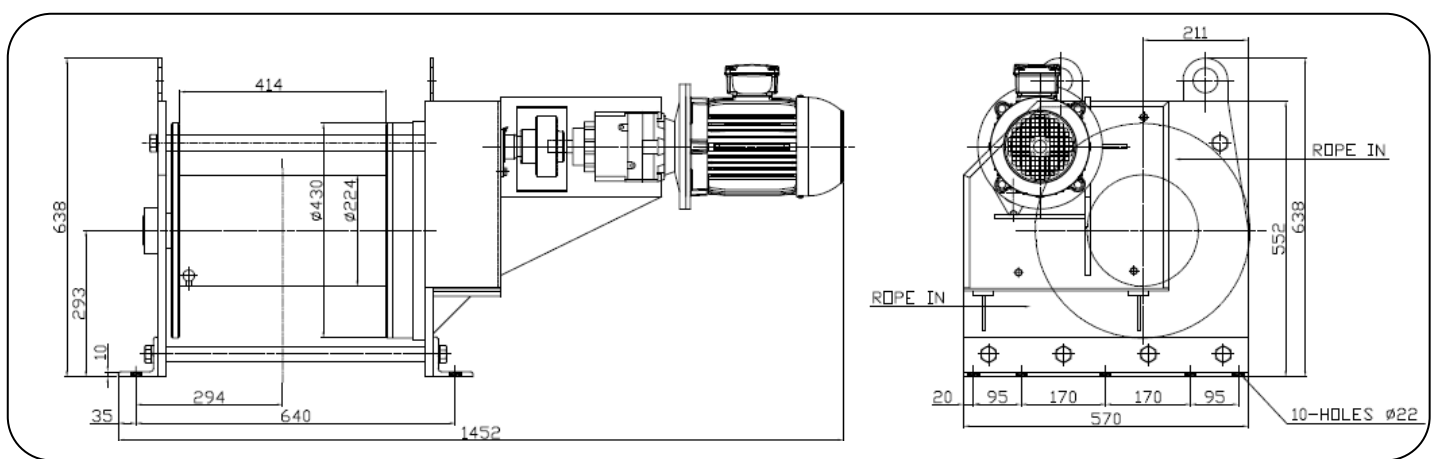
## WINCH SPECIFICATIONS

MODEL	5000S.3M	8000S.3M	13000S.3M
WINCH GEAR RATIO	76.8/1	152/1	392/1
PRIMARY GEAR RATIO	7.37/1	7.37/1	7.37/1
ROPE CAPACITY (m)	63	94	103
WORKING LENGTH (m)	45	66	73
ROPE SIZE (mm)	Ø16	Ø20	Ø26
ROPE CONSTRUCTION	6 X 36	6 X 36	6 X 36
ROPE SPEED FIRST LAYER (m/min)	1.5	1	0.5
MOTOR POWER (kW)	2.2	2.2	2.2
MASS (kg)	167	298	452
SAFE WORKING LOAD (Tons)	3.5	5.4	8.2
TEST LOAD (Tons)	5	8	13

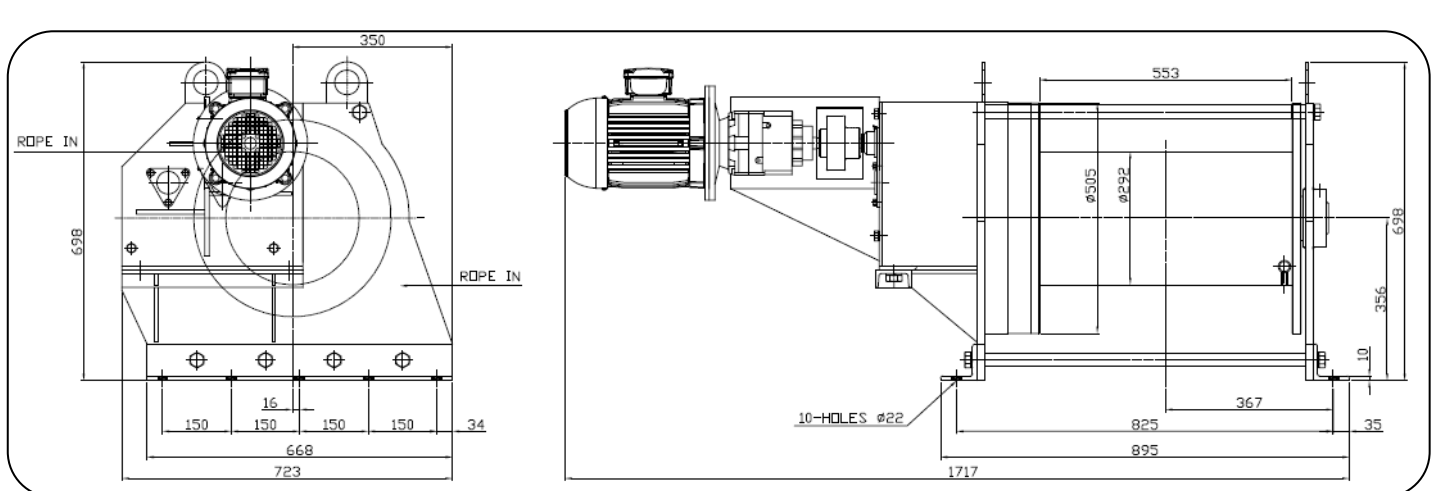
### 5000S.3M



### 8000S.3M



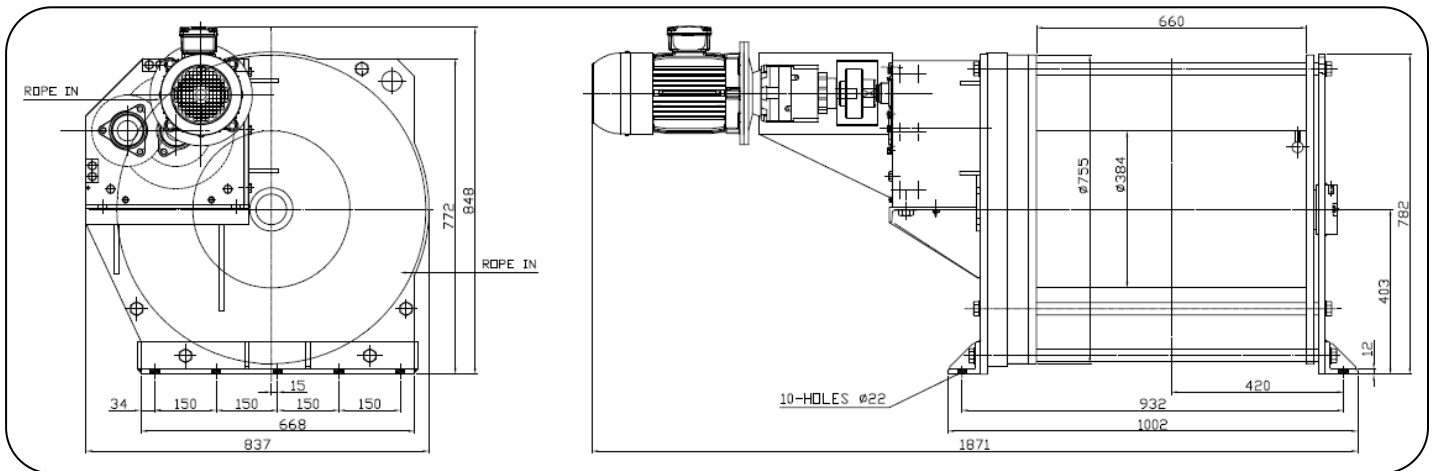
### 13000S.3M



## WINCH SPECIFICATIONS

<b>MODEL</b>	<b>16000S.3M</b>
<b>WINCH GEAR RATIO</b>	<b>630.5/1</b>
<b>PRIMARY GEAR RATIO</b>	<b>4.34/1</b>
<b>ROPE CAPACITY (m)</b>	<b>100</b>
<b>WORKING LENGTH (m)</b>	<b>71</b>
<b>ROPE SIZE (mm)</b>	<b>Ø32</b>
<b>ROPE CONSTRUCTION</b>	<b>6 X 36</b>
<b>ROPE SPEED FIRST LAYER (m/min)</b>	<b>0.64</b>
<b>MOTOR POWER (kW)</b>	<b>4</b>
<b>MASS (kg)</b>	<b>688</b>
<b>SAFE WORKING LOAD (Tons)</b>	<b>13</b>
<b>TEST LOAD (Tons)</b>	<b>16</b>

### 16000S.3M



This winch features a Braked Motor and has no mechanical brake.

### DYMOT ENGINEERING COMPANY (PTY) LIMITED

11 DERRICK ROAD, SPARTAN, KEMPTON PARK, SOUTH AFRICA  
 P.O. BOX 404, EDENVALE, 1610  
 TEL: +27 11 970-1920  
 FAX: +27 11 970-1979

E-MAIL: [sales@dymot.co.za](mailto:sales@dymot.co.za)  
 WEB: [www.dymot.co.za](http://www.dymot.co.za)  
 Co Reg. No 1965/07008/07