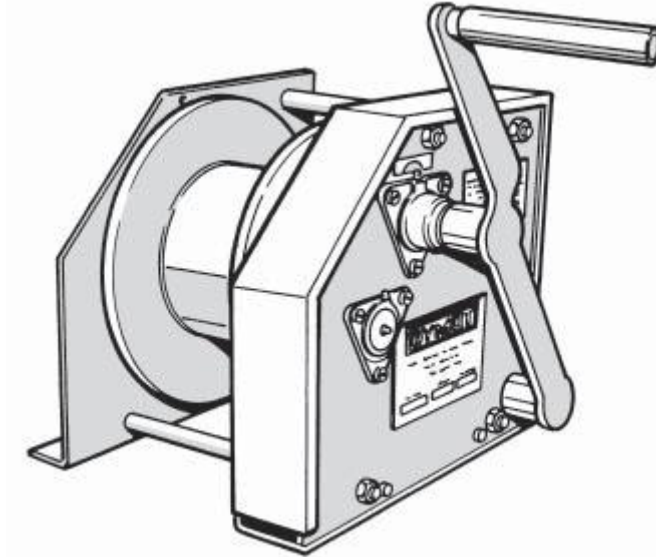




PLUMBOB WINCHES



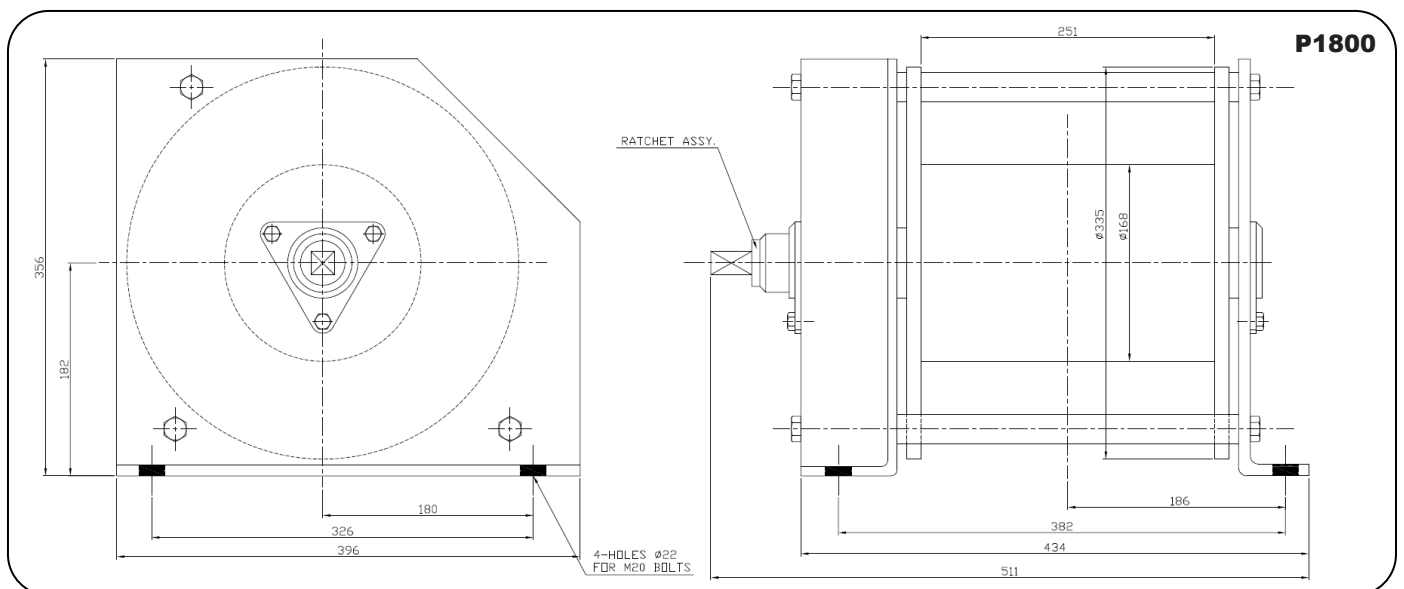
GENERAL INFORMATION

Winch is fitted with a Dymot safety ratchet operated brake which automatically locks the drum to hold the load at all times. The load position can be adjusted up or down by simply winding the handle in the required direction. The load movement stops with the winding.

USES

Ideal for Plumbob lowering for shaft sinking position indication. Dymot also supplies Plumbob, stainless steel wire and sheaves.

MODELS: **P1800** **1800m DIA 2mm Stainless Steel Wire**
 P3000 **3000m DIA 2mm Stainless Steel Wire**



DYMOT ENGINEERING COMPANY (PTY) LIMITED

11 DERRICK ROAD, SPARTAN, KEMPTON PARK, SOUTH AFRICA
 P.O. BOX 404, EDENVALE, 1610
 TEL: +27 11 970-1920
 FAX: +27 11 970-1979

E-MAIL: sales@dymot.co.za
 WEB: www.dymot.co.za
 Co Reg. No 1965/07008/07