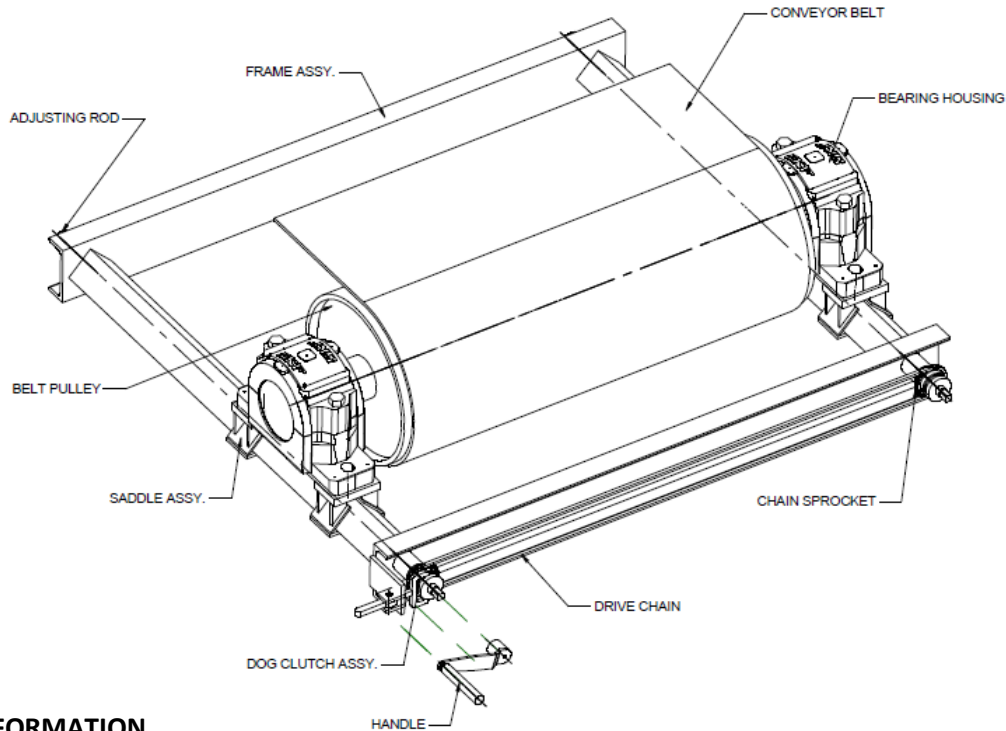




WINCHES AND SHEAVES

SCREW TAKE UPS



GENERAL INFORMATION

The DYMOT range of SCREW TAKE UP now features a screw that is covered on the top so no material can fall onto the screw. A Dog Clutch mechanism is also available to take up the belt tension simultaneously avoiding the need to turn each screw independently. Engaging and Disengaging the Dog Clutch still enables you to turn each independently.

ADVANTAGES

- Level Wind for both Bronze Nuts.
- Covered Screws
- Replaceable Nuts due to construction.

DIFFERENT SIZES AVAILABLE

COPY PAGE AND COMPLETE AND WE CAN QUOTE TO YOUR REQUIREMENTS

T1 TENSION (kN)	
T2 TENSION (kN)	
BEARING SIZE AND DIAMETER	
PULLEY DIAMETER (mm)	
BEARING CENTRES (mm)	
TAKE UP TRAVEL LENGTH REQUIRED (mm)	

DYMOT ENGINEERING COMPANY (PTY) LIMITED

11 DERRICK ROAD, SPARTAN, KEMPTON PARK, SOUTH AFRICA
 P.O. BOX 404, EDENVALE, 1610
 TEL: +27 11 970-1920
 FAX: +27 11 970-1979

E-MAIL: sales@dymot.co.za
 WEB: www.dymot.co.za
 Co Reg. No 1965/07008/07