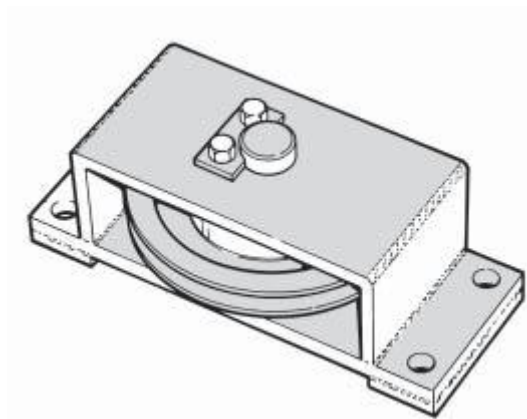
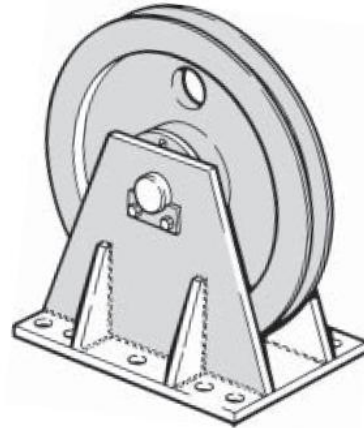




## HORIZONTAL AND VERTICAL SHEAVES AND BRACKETS



**HORIZONTAL  
SHEAVE AND BRACKET**



**VERTICAL  
SHEAVE AND BRACKET**

### GENERAL INFORMATION

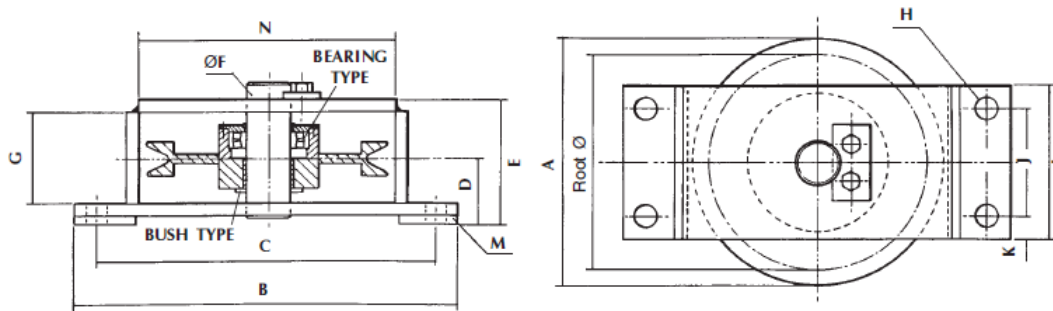
Dymot sheaves are supplied, assembled in vertical or horizontal brackets with bushes or bearings as shown overleaf or with just shaft, keep plate and bushes or bearings.  
All sheaves are of welded steel construction.

### FEATURES

- Robust design for mounting in tension or in compression.
- High bending ratios for ropes.
- Accessible lubrication points.
- Various sizes for different ropes & loads.
- Sheaves are fabricated and fully machined.
- Custom built sheaves are also available.

## SPECIFICATIONS

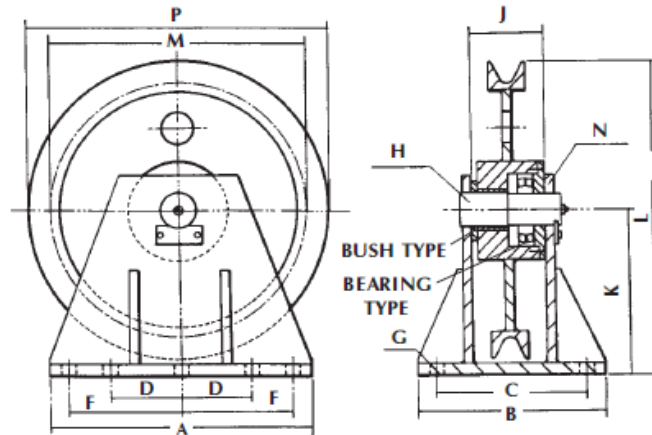
### HORIZONTAL SHEAVE AND BRACKET



**NOTE: Specify bushes or bearings**

Rope Size	A	Root $\phi$	B	C Pitch	D	E	$\phi$ F	G	No.Mtg. Holes	$\phi$ H	J	No. of J Pitches	K	L	N	Mass Kg
$\phi$ 6	$\phi$ 123	105	210	180	37,5	67	$\phi$ 20	51	4	12	50	1	15	80	130	4
$\phi$ 8	$\phi$ 162	140	256	226	44,5	81	$\phi$ 30	61	4	14	70	1	15	100	172	9
$\phi$ 10	$\phi$ 205	175	305	275	54,5	101	$\phi$ 40	77	4	18	90	1	20	130	215	15
$\phi$ 13	$\phi$ 267	228	395	355	63	116	$\phi$ 45	86	4	22	100	1	25	150	280	25
$\phi$ 16	$\phi$ 328	280	472	432	74	136	$\phi$ 50	100	4	26	150	1	25	200	340	44
$\phi$ 20	$\phi$ 410	350	560	520	85	156	$\phi$ 55	110	6	26	100	2	25	250	430	80
$\phi$ 26	$\phi$ 513	438	675	635	92	170	$\phi$ 60	124	8	26	80	3	30	300	535	130
$\phi$ 28	$\phi$ 574	490	764	700	112,5	204	$\phi$ 65	143	8	32	80	3	55	350	594	198
$\phi$ 32	$\phi$ 656	560	860	796	122,5	224	$\phi$ 75	163	10	32	85	4	55	450	690	267
$\phi$ 36	$\phi$ 738	630	958	888	133	245	$\phi$ 85	184	10	32	100	4	50	500	763	396
$\phi$ 42	$\phi$ 861	735	1122	1033	150	275	$\phi$ 100	200	12	32	92	5	45	550	892	538

### VERTICAL SHEAVES AND BUSHES



**NOTE: Specify bushes and or bearings**

Rope Size	A	B	C Pitch	D Pitch	E Pitch	F Pitch	No. Mtg. Holes	H	J	K	L	M	N	P	G	Mass Kg
$\phi$ 6	100	120	96	-	-	38	4	$\phi$ 20	51	72	134	$\phi$ 105	4	$\phi$ 123	$\phi$ 12	5
$\phi$ 8	130	145	115	-	-	50	4	$\phi$ 30	61	94	176	$\phi$ 140	6	$\phi$ 162	$\phi$ 14	9
$\phi$ 10	165	180	150	-	-	66,5	4	$\phi$ 40	77	117	220	$\phi$ 175	8	$\phi$ 205	$\phi$ 18	14
$\phi$ 13	220	220	180	-	-	90	4	$\phi$ 45	86	152	286	$\phi$ 228	10	$\phi$ 267	$\phi$ 22	27
$\phi$ 16	290	264	212	-	-	113	4	$\phi$ 50	100	188	352	$\phi$ 280	12	$\phi$ 328	$\phi$ 26	59
$\phi$ 20	350	290	222	-	-	148	6	$\phi$ 55	110	235	440	$\phi$ 350	16	$\phi$ 410	$\phi$ 26	88
$\phi$ 26	450	300	244	110	-	193	8	$\phi$ 60	124	294	550	$\phi$ 438	16	$\phi$ 513	$\phi$ 26	114
$\phi$ 28	490	350	276	126	-	212	8	$\phi$ 65	143	329	616	$\phi$ 490	20	$\phi$ 574	$\phi$ 32	156
$\phi$ 32	570	410	330	155	-	245	10	$\phi$ 75	163	365	693	$\phi$ 560	20	$\phi$ 656	$\phi$ 32	245
$\phi$ 36	630	450	350	165	-	265	10	$\phi$ 85	184	406	775	$\phi$ 630	20	$\phi$ 738	$\phi$ 32	330
$\phi$ 42	700	502	382	200	-	300	12	$\phi$ 100	200	476	906	$\phi$ 735	25	$\phi$ 861	$\phi$ 32	443

## DYMOT ENGINEERING COMPANY (PTY) LIMITED

11 DERRICK ROAD, SPARTAN, KEMPTON PARK, SOUTH AFRICA  
 P.O. BOX 404, EDENVALE, 1610  
 TEL: +27 11 970-1920  
 FAX: +27 11 970-1979

E-MAIL: [sales@dymot.co.za](mailto:sales@dymot.co.za)  
 WEB: [www.dymot.co.za](http://www.dymot.co.za)  
 Co Reg. No 1965/07008/07