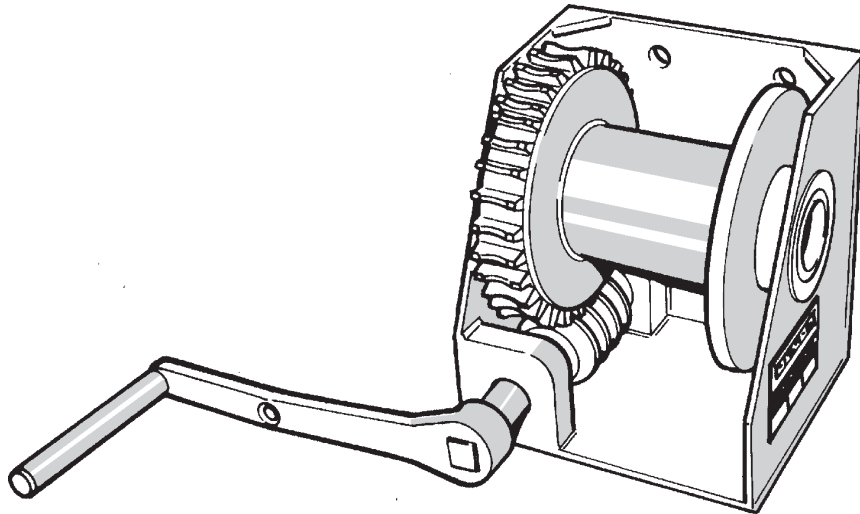




WORM WINCH



DYMOT'S LOW COST ECONOMY WORM WINCHES
THE MOST VERSATILE WORM WINCH
100% S.A. MANUFACTURED
LAE KOSTE EKONOMIESE WURM WENASTE
100% S.A. VERVAARDIGING

GENERAL & TECHNICAL

Low cost utility winches for all winching operations. Can be mounted in any position. Advantages of worm winches are that no brakes or ratchets are required as the high ratio worms are self-sustaining in any position. Generous bearing surfaces and easy lubrication make for long life.

USES

Unlimited uses in Mining, Transport, Farming or Fishing.

FEATURES

- 100% Safety
- Easy Lubrication
- No Brakes required

ALGEMEEN & TEGNIES

Lae koste utiliteit wenaste vir alle wenas aandrywingssteme. Kan in enige posisie gemonteer word. Voordele van wurm wenaste is dat geen remme of palratte nodig is nie, omdat die hoë ratverhouding worms selfsluitend is in enige posisie. Groot laer vlaktes en maklike smering gee lang lewensduur.

GEBRUIKE

Vir Mynwese, Vervoer, Boerdery or Visvang het dit onbeperkte moontlikhede!

FEATURES

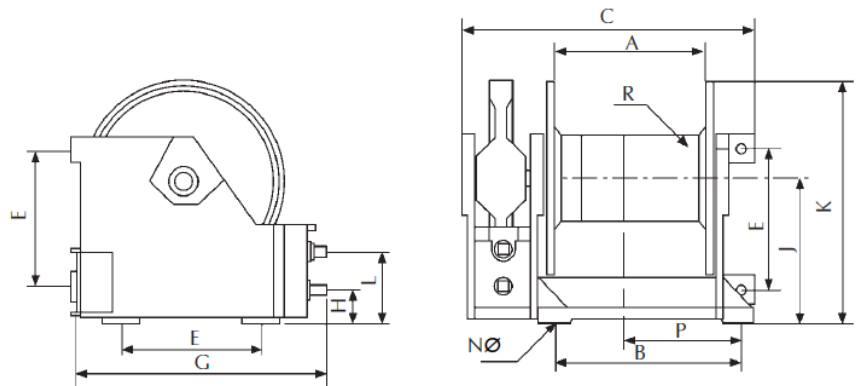
- 100% Veilig
- Maklike smering
- Geen remme benodig

SPECIFICATIONS

MODEL 3000W - Floor & Wall Mounted 3000 Kg Worm Winch

Two Speed Operation
 Gear Ratio: 50:1 / 100:1
 Rope Size: 16 dia. x 6 x 36 Const. Rope
 Capacity: 55m
 Handle Radius: 228 min. / 443 max.

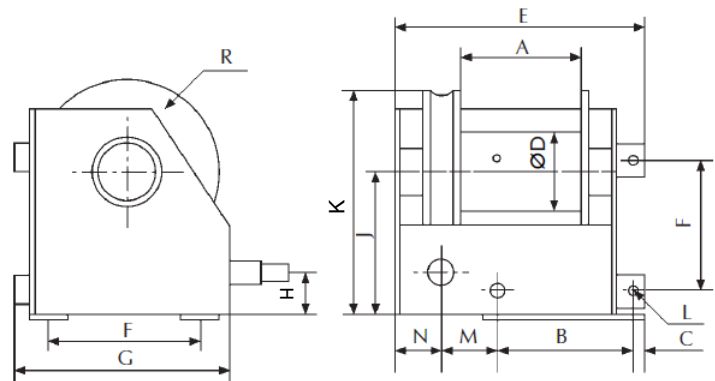
A - 250	H - 68
B - 300	J - 290
C - 475	K - 410
D - 150	N - 18 dia.
E - 233	P - 179
G - 430	R - 16



MODEL 1000W - Floor & Wall Mounted 1000 Kg Worm Winch

Gear Ratio: 32:1
 Rope Size: 8 dia. x 6 x 36 Const. Rope
 Capacity: 55m
 Handle Radius: 228 min. / 443 max.

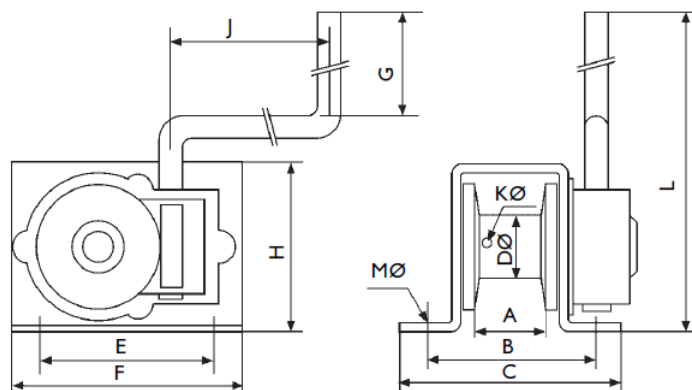
A - 140	H - 54.30
B - 155	J - 106
C - 12	K - 290
D - 102	L - 14 dia.
E - 280	M - 62.50
F - 170	N - 50.50
G - 240	



MODEL 200W - Floor & Wall Mounted 200Kg Worm Winch

Gear Ratio: 29:1
 Rope Size: 6 dia.
 Rope Capacity: 6m

A - 50	G - 145
B - 115	H - 130
C - 150	J - 175
D - 65	K - 8
E - 120	L - 305
F - 160	M - 11



DYMOT ENGINEERING COMPANY (PTY) LIMITED

11 DERRICK ROAD, SPARTAN, KEMPTON PARK, SOUTH AFRICA
 P.O. BOX 404, EDENVALE, 1610
 TEL: +27 11 970-1920
 FAX: +27 11 970-1979

E-MAIL: sales@dymot.co.za
 WEB: www.dymot.co.za
 Co Reg. No 1965/07008/07