

Cement

Chemicals
Defence
Fibre, paper & tissue
Food & beverage
Marine & port operations
Metals

Mining & minerals

Oil & gas
Panelboard

Power generation

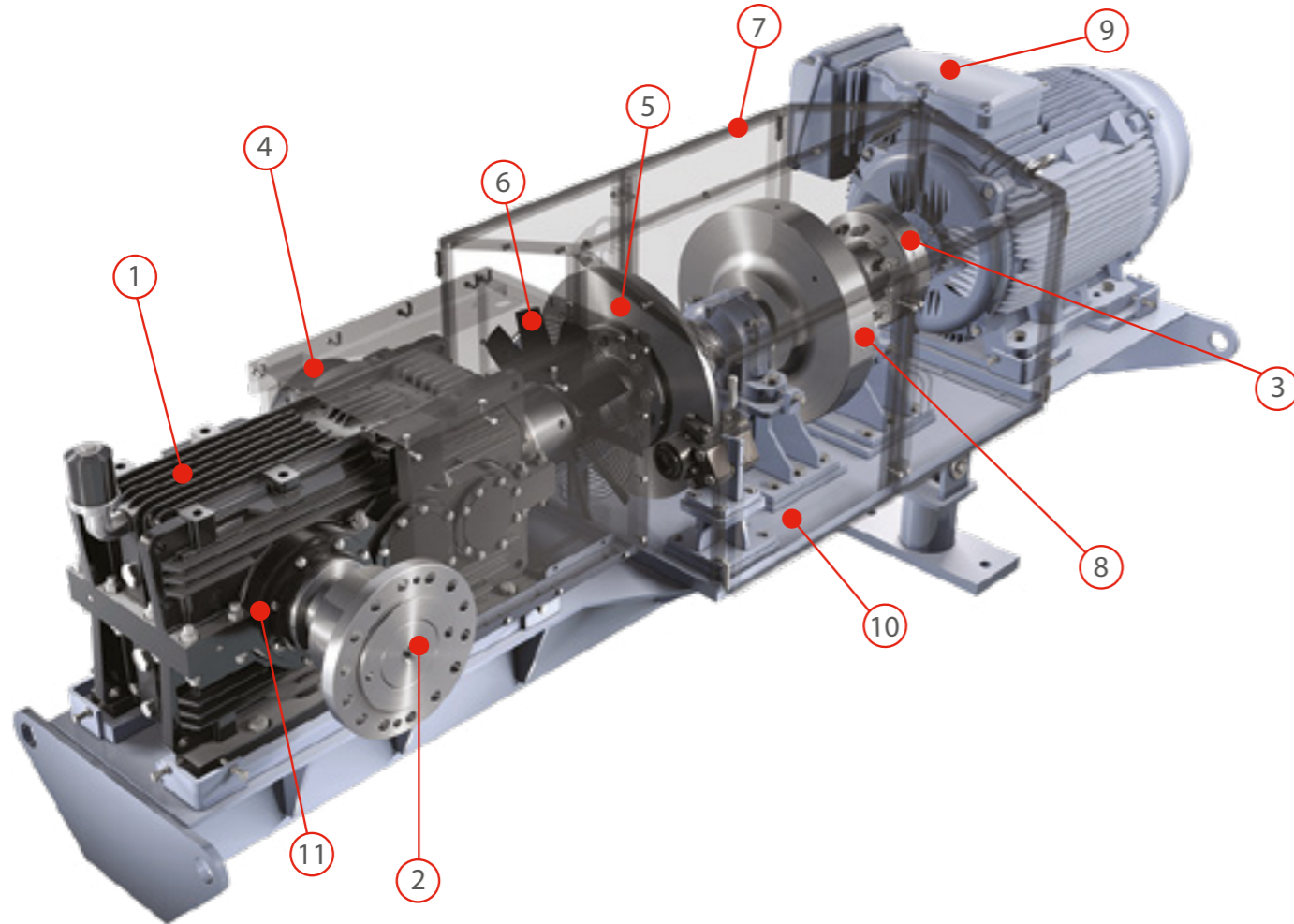
Rail
Rubber
Sugar
Water & wastewater

CX Series

Mechanical power transmissions
for conveyor applications

CX – Walks the walk, talks the torque

The CX series offers exceptional field proven levels of performance, versatility and life expectancy, which exceed the demanding requirements of modern conveyor applications and work to maximise the availability of our customers’ processes wherever they are in the world.



David Brown Santasalo can supply any CX series gearbox individually or as a complete conveyor drive unit comprising some or all of the following parts:

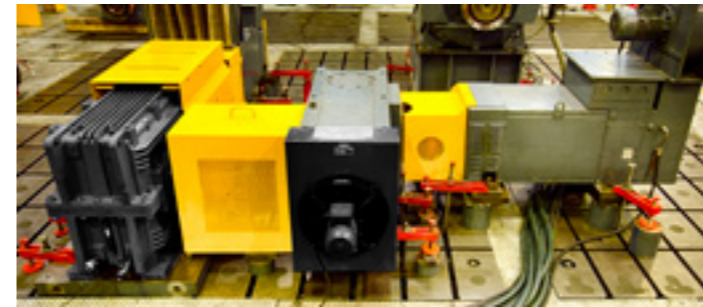
1. CX series gearbox
2. Low speed output couplings
3. Conventional or fluid type input couplings
4. Holdback/backstop
5. Disc or drum brakes
6. Fan
7. Safety guards
8. Fly wheel (inertia wheel) with independent support bearings
9. Electrical motors (HV or LV)
10. Base frame in floor mounted, swing base or tunnel mount versions with torque arm
11. Output coupling guard

CX model range

CX series characteristics		Unit size	Typical motor power *
Housing material	Grey iron or high strength ductile iron	210	55kW
Housing construction	Horizontal split case	240	90kW
Ambient temperature range	-10°C to 50°C +	275	132kW
Nominal rated sump temperature	90°C / 194°F (Can be rated at our customers’ preferred temperature)	300	160kW
Power capacity	55kW to 3,000kW	336	250kW
Input speed range	To suit 4, 6 and 8 pole motors (including variable speed) at 50Hz and 60Hz supply	365	315kW
Ratio range	8.4/1 to 47.1/1	400	400kW
Output shaft options	Solid, double extended and hollow shaft versions with keyed and keyless options	440	500kW
Integral holdback	Standard and load sharing versions	480	710kW
		525	800kW
		560	1,120kW
		620	1,250kW
		675	1,600kW
		720	1,800kW
		800	2,000kW

* Typical selection using right angled triple reduction version at 1450rpm motor speed, 70rpm approximate output speed sizes up to 525, 60rpm sizes 560 and above. Mechanical service factor 1.5, thermal service factor 1 and bearing lives >60,000 hours. Note these are typical selections; please contact us with your full application details for actual selection.

David Brown Santasalo’s CX series delivers the following core benefits



Enhanced thermal capacity

The improved thermal performance of the CX series has been extensively tested, both with field trials in some of the highest ambient temperature mining environments, as well as under controlled conditions on our own dedicated test beds. Our 1MW conveyor test bed has been used to prove the advantages of the design process. In addition, the data collected enables accurate prediction of case and sump oil temperatures, which is critical when managing gearbox temperatures when running at very high ambient temperatures.



Improved bearing life

Theoretical bearing lives can only be achieved in practice by a well designed gearbox configuration and adequate lubrication. The extensive prototype testing carried out on the CX series, backed up by field experience, means that the user can be confident that the desired bearing lives can be achieved. This enables our customers to avoid unplanned outages, ultimately leading to lower maintenance costs.



Improved and optimised lubrication design

Extensive prototype testing has ensured that the CX’s simple internal lubrication design is functional across a wide range of operating temperatures, gearbox orientations and running speeds. With increasing use of variable speed drives for conveyors it is essential that users can be confident that their drives are being adequately lubricated, even when running at creep speeds. Start ups from cold oil conditions have been simulated to ensure that even at low temperature start up, all bearings and gears are adequately lubricated.



Low noise, high performance

With noise pollution being an ever increasing factor in the specification and design of industrial machinery, gearboxes designed for low noise are a must. The CX series incorporates the latest design and manufacturing technologies to optimise gearing for low noise operation, with the theoretical results being verified by thorough test rig testing and independently verified noise measurements.

In most cases this means a CX gearbox will allow the conveyor to meet current health and safety guidelines, without the costs of additional noise attenuation.



Europe

Finland
Jyväskylä, Hyvinkää & Tornio
T: +358 293 401000
E: finland@dbsantasalo.com

France
Bordeaux
T: +33 547 745 402
E: france@dbsantasalo.com

Germany
Wuppertal
T: +49 202 24 14 0
E: germany@dbsantasalo.com

Sweden
Gothenburg & Gällivare
T: +46 31 710 20 50
E: sweden@dbsantasalo.com

Turkey
Istanbul
T: +90 216 514 80 08
E: turkey@dbsantasalo.com

UK
Huddersfield
T: +44 1484 465500
E: uk@dbsantasalo.com

Americas

Canada
Cambridge, Ontario
T: +1 519 621 6390
E: canada@dbsantasalo.com

Canada
Montreal
T: +1 514 457 7700
E: canada@dbsantasalo.com

Chile
Santiago
T: +56 2 2234 5000
E: chile@dbsantasalo.com

Chile
Antofagasta
T: +56 5 5249 2800
E: chile@dbsantasalo.com

Peru
Arequipa
T: +51 9 8292 7671
E: peru@dbsantasalo.com

USA
Greer, SC & Salt Lake City, UT
T: +1 864 627 1700
E: usa@dbsantasalo.com

Asia Pacific

Australia
Bullii
T: +61 2 4283 0300
E: australia@dbsantasalo.com

Australia
Mackay
T: +61 7 4842 3222
E: australia@dbsantasalo.com

Australia
Perth
T: +61 8 9365 5555
E: australia@dbsantasalo.com

China
Suzhou
T: +86 512 6299 8852
E: suzhou@dbsantasalo.com

China
Tianjin
T: +86 135 1245 2820
E: tianjin@dbsantasalo.com

India
Hosur, Tamil Nadu
T: +91 4344 277 740
E: india@dbsantasalo.com

Indonesia
Surabaya
T: +62 31 8910977
E: indonesia@dbsantasalo.com

Malaysia
Kuala Lumpur
T: +60 (3) 9207 9700
E: malaysia@dbsantasalo.com

Philippines
Subic Bay
T: + 63 047 250 2407
E: philippines@dbsantasalo.com

Africa

South Africa
Benoni
T: +27 11 748 0000
E: salessa@dbsantasalo.com

